

# EE10-T Series

## HVAC Temperature Transmitter for Indoor Applications

EE10 room transmitters are the ideal solution for indoor applications such as HVAC in residential and official buildings.

The very stylish, functional housing makes possible easy installation and fast exchange of the sensing unit for service purposes.

The temperature output signal can be active or passive.

For on site display of the measured values the EE10 with active temperature output can be equipped with an easily readable display.



### Typical Applications

building management for residential and office areas  
switching cabinets  
climate control in hotels and museums

### Features

excellent price / performance ratio  
easiest installation  
modern design  
optional display

### Technical Data

#### Measuring Quantities

##### Temperature (active output)

Analogue output 0...50°C (32...122°F) <sup>1)</sup>

0-10 V

-1 mA < I<sub>L</sub> < 1mA

4-20 mA (two wires)

R<sub>L</sub> < (U<sub>v</sub>-10)/0.02 < 500 Ohm

Accuracy at 20°C (68°F)

±0.3°C (±0.54°F)

##### Temperature (passive output)

Type of T-Sensor

please see ordering guide

#### General Data

Voltage supply (U<sub>v</sub>)

for 0 - 10 V

15 - 40 VDC or 24 VAC ±20%

for 4 - 20 mA

28V DC > U<sub>v</sub> > 10 + 0.02 x R<sub>L</sub> (R<sub>L</sub> < 500 Ohm)

Current consumption

for DC supply:

typical 4 mA

for AC supply:

typical 15 mA<sub>eff</sub>

Electrical connection

Screw terminals max. 1.5 mm<sup>2</sup> (AWG 16)

Housing / Protection class

PC / IP20

Display

only for EE10-Tx version: temperature

CE compatibility according

EN 50081-1

FCC Part15 ClassB

EN 50082-1

ICES-003 ClassB



Temperature ranges

Working temperature range:

-5...55°C (23...131°F)

Working temperature with display:

-5...55°C (23...121°F)

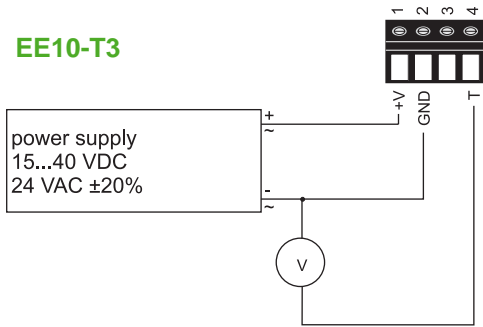
Storage temperature range:

-25...60°C (-13...140°F)

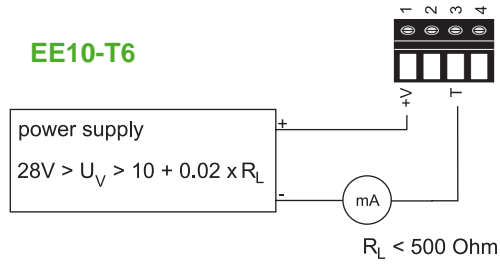
1) Other T-scalins refer to page 11

## Connection Diagram

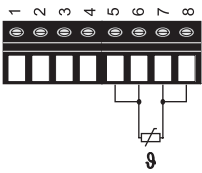
### EE10-T3



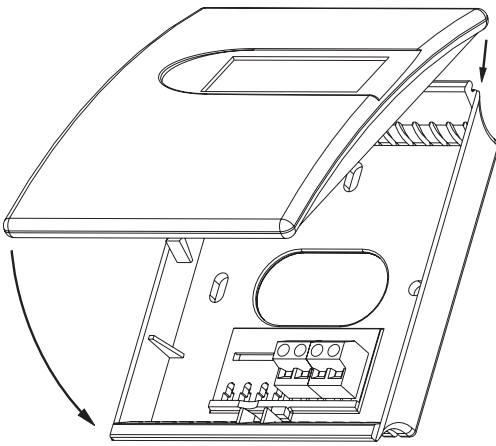
### EE10-T6



### EE10-P



## Dimensions



W x H x D = 85 x 100 x 26 mm  
 (3.3 x 3.9 x 1 inch)

Housing: PC  
 Protection class: IP20

Housing colour: cover: RAL 9003 (signal white)  
 back: RAL 7035 (light grey)

(other colours upon request)

## Ordering Guide

## Order Example

MODEL	OUTPUT	DISPLAY	T-Unit	T-SCALE
temperature active (T)	0-10V (3)	without display (--)	°C (--)	0...50 (T04)
	4-20 mA (6)	with display (D04)	°F (E01)	-5...55 (T31)
				0...40 (T55)
				other (Txx)
<b>EE10-</b>				

MODEL	T-SENSOR
temperature passive (P)	Pt 100 DIN A (A)
	Pt 100 DIN B (B)
	Pt 1000 DIN A (C)
	Pt 1000 DIN B (D)
<b>EE10-</b>	

### EE10-T6-D04-T04

Model: temperature transmitter  
 Output: 4-20mA  
 Display: with display  
 T-Unit: °C  
 T-scale: 0...50°C (32...122°F)