

# EE16-T Series

## Temperature Transmitters for HVAC Applications

EE16 temperature transmitters are the ideal solution for accurate measurement of temperature in the range 0...50°C (32...122°F) in HVAC applications.

EE16 temperature transmitters are available as wall or duct mounted with current or voltage output signals.



### Typical Applications

building-automation  
 storage rooms  
 climate and ventilation control

### Features

excellent price/performance ratio

### Technical Data

#### Measuring values

##### Temperature (active output)

Sensor	Pt1000 (class A, DIN EN 60751)	
Output appropriate 0...50°C (32...122°F)	0-10 V	-1 mA < I <sub>L</sub> < 1 mA
	4-20 mA (two wire)	R <sub>L</sub> < 500 Ohm
Accuracy at 20°C (68°F) <sup>1)</sup>	±0.3°C (±0.5°F)	

##### Temperature (passive output)

Type of T-Sensor	please see ordering guide	
------------------	---------------------------	--

#### General

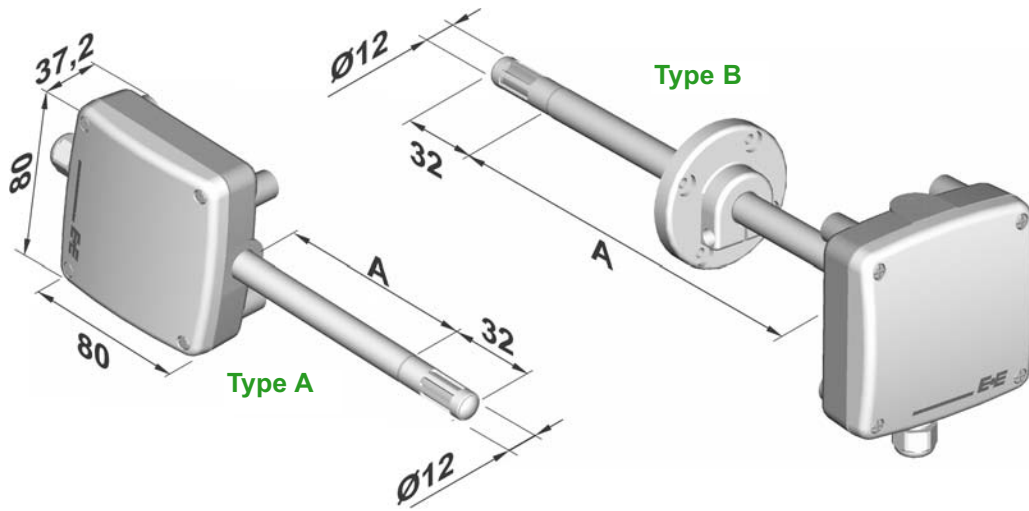
Supply voltage	15 - 35V DC or 24V AC ±20%	
for 0 - 10 V	10V + R <sub>L</sub> x 20 mA < U <sub>v</sub> < 35V DC	
for 4 - 20 mA		
Current consumption	for DC supply	typ. 8 mA
	for AC supply	typ. 20 mA <sub>eff</sub>
Electrical connection	screw terminals max. 1.5 mm <sup>2</sup> (AWG 16)	
Housing / protection class	Polycarbonat / IP65, Nema 4	
Cable gland	M16x1.5	cable Ø 4.5 - 10 mm (0.18 - 0.39")
Sensor protection	membrane filter or plastic grid	
Electromagnetic compatibility	EN 61000-6-1	ÖVE EN 61326-1+A1+A2
	EN 61000-6-3	
Temperature range	working temperature:	-5...50°C (23...122°F)
	storage temperature:	-25...60°C (-13...140°F)



1) Please note: temperature accuracy EE16-T6x2x: ±0.5°C (±0.9°F)

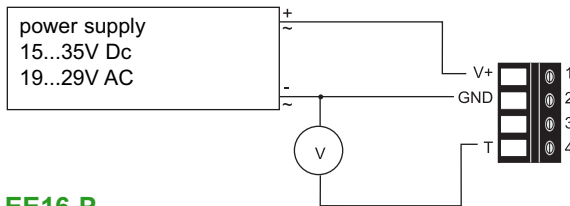
## Dimensions (mm)

1 mm = 0.03937" / 1" = 25.4 mm

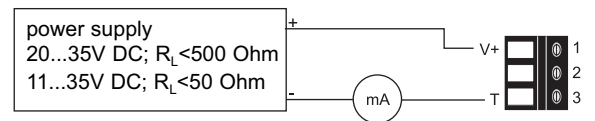


## Connection Diagram

### EE16-T3xxx



### EE16-T6xxx



### EE16-P



## Ordering Guide

MODEL	OUTPUT	HOUSING	PROBE LENGTH (according to "A")	FILTER
temperature active (T)	0-10 V (3) 4-20 mA (6)	wall mounting (A) duct mounting (B)	50mm (1.9") (2) 200mm (7.9") (5)	membrane filter (1) plastic grid (4)
<b>EE16-</b>				

MODEL	T-SENSOR	HOUSING	PROBE LENGTH (according to "A")	FILTER
temperature passive (P)	Pt 100 DIN A (A) Pt 100 DIN B (B) Pt 1000 DIN A (C) Pt 1000 DIN B (D) others on request	wall mounting (A) duct mounting (B)	50mm (1.9") (2) 200mm (7.9") (5)	membrane filter (1) plastic grid (4)
<b>EE16-</b>				

## Ordering Example

### EE16-T3A21

model: temperature transmitter  
output: 0-10 V  
housing: wall mounting  
probe length: 50mm (1.9")  
filter: membrane filter