



—
your partner
in sensor
technology.



User Manual HA011068

Connection Cable

Content

1	General Information	3
1.1	Explanation of Warning Notices and Symbols.....	3
1.2	Safety Instructions	4
1.3	Environmental Aspects.....	4
2	Product Description	4
3	Electrical Connections	5
3.1	PC Connection.....	7
3.2	PCS10 Product Configuration Software	7
4	Ordering Information	7
5	Technical Data	7

1 General Information



This user manual is intended to ensure proper handling and optimal functioning of the device. The user manual shall be read before commissioning the equipment and it shall be provided to all staff involved in transport, installation, operation, maintenance and repair. E+E Elektronik Ges.m.b.H. accepts no liability for any warranty or liability claims arising from this publication or improper handling of the product(s) described.

All information, technical data and diagrams included in this document are based on the information available at the time of writing. The document may contain technical inaccuracies and typographical errors. The contents will be revised on a regular basis and changes will be implemented in subsequent versions. The product(s) described and the contents of this document may be changed or improved at any time without prior notice.

All rights are reserved by E+E Elektronik Ges.m.b.H. No part of this document may be reproduced, published or publicly displayed in any form or by any means, nor may its contents be modified, translated, adapted, sold or disclosed to a third party without prior written permission of E+E Elektronik Ges.m.b.H.

1.1 Explanation of Warning Notices and Symbols

Safety precautions

Precautionary statements warn of hazards in handling the device and provide information on their prevention. They are categorized into conventional  and Ex -specific warnings.

The safety instruction labeling is classified by hazard severity and is divided into the following groups:

EX-SPECIFIC HINT OR WARNING

This warning indicates specific regulations that must be observed in hazardous areas at risk of explosion.

If the safety instruction marked in this way is not followed, there is a health risk to humans and risk of damage to the measurement installation.

DANGER

Danger indicates hazards for persons. If the safety instruction marked in this way is not followed, the hazard will very likely result in severe injury or death.

WARNING

Warning indicates hazards for persons. If the safety instruction marked in this way is not followed, there is a risk of injury or death.

CAUTION

Caution indicates hazards for persons. If the safety instruction marked in this way is not followed, minor or moderate injuries may occur.

NOTICE

Notice signals danger to objects or data. If the notice is not observed, damage to property or data may occur.

Informational notes

Informational notes provide important information which stands out due to its relevance.

INFO

The information symbol indicates tips on handling the device or provides additional information on it. The information is useful for reaching optimal performance of the device.

The title field can deviate from "INFO" depending on the context. For instance, it may also read "PLEASE NOTE".

1.2 Safety Instructions

NOTICE

Improper or incorrect use of the device may lead to

- Hazards for the device and other assets.
- Hazards that impair the efficient operation of the device.

The following instructions shall be observed for safe operation:

- Only qualified or specially trained staff may work on or operate the device.
- These operating instructions shall always be available to all staff in charge with mounting, commissioning, operation and servicing.

It is essential that the device may only be used when in perfect operating condition.

Any device faults shall be immediately repaired by authorized staff or by E+E Elektronik customer service. No technical modifications to the device are permitted.

1.3 Environmental Aspects

PLEASE NOTE

Products from E+E Elektronik Ges.m.b.H. are developed and manufactured in compliance with relevant environmental protection requirements. Please observe local regulations for the disposal of the device.



For disposal, the individual components of the device must be separated according to local recycling regulations. The electronics shall be disposed of correctly as electronics waste.

2 Product Description

The connection cable HA011068, in combination with EE-PCA Product Configuration Adapter, is intended and certified for configuration and adjustment of the E+E intrinsically safe sensors.

EX-SPECIFIC HINT OR WARNING

The configuration may not be performed in the hazardous area (classified location)!

WARNING

Non-compliance with the product documentation may cause safety risks for people and the entire measurement installation.

The manufacturer cannot be held responsible for damages as a result of incorrect handling, installation and maintenance of the device.

NOTICE

Failing to follow the instructions in this user manual may lead to measurement inaccuracies and device failures.

- The HA011068 may only be operated under the conditions described in this user manual and within the specification included in chapter 5 Technical Data.
- Unauthorized product modification leads to loss of all warranty claims. Modification may be accomplished only with an explicit permission of E+E Elektronik Ges.m.b.H.!

i PLEASE NOTE

The manufacturer or his authorized agent can only be held liable in case of willful or gross negligence. In any case, the scope of liability is limited to the corresponding amount of the order issued to the manufacturer. The manufacturer assumes no liability for damages incurred due to failure to comply with the applicable regulations, operating instructions or the specified operating conditions. Consequential damage is excluded from liability.

⚠ WARNING

Non-compliance with the product documentation may cause accidents, personal injury or property damage.

- Mounting, installation, commissioning, start-up, operation and maintenance of the device may be performed by qualified staff only. Such staff must be authorized by the operator of the facility to carry out the mentioned activities.
- The qualified staff must have read and understood this user manual and must follow the instructions contained within. The manufacturer accepts no responsibility for non-compliance with instructions, recommendations and warnings.
- All process and electrical connections shall be thoroughly checked by authorized staff before putting the device into operation.
- Do not install or start-up a device supposed to be faulty. Make sure that such devices are not used accidentally by marking them clearly as faulty.
- A faulty device shall be removed from the process.
- Service operations other than described in this user manual may only be performed by the manufacturer.

3 Electrical Connections

⚠ EX-SPECIFIC HINT OR WARNING

It is essential that the removal and reinstallation of the sensor to be configured in explosion hazard area are carried out only by trained specialist personnel authorized do so by the system operator.

⚠ EX-SPECIFIC HINT OR WARNING

Disconnect all sensor wiring (4 - 20 mA), before connecting it to the connection cable HA011068.

⚠ WARNING

Incorrect installation, wiring or power supply may cause overheating and therefore personal injuries or damage to property.

For correct cabling of the device, always observe the presented wiring diagram for the product version used.

The manufacturer cannot be held responsible for personal injuries or damage to property as a result of incorrect handling, installation, wiring, power supply and maintenance of the device.

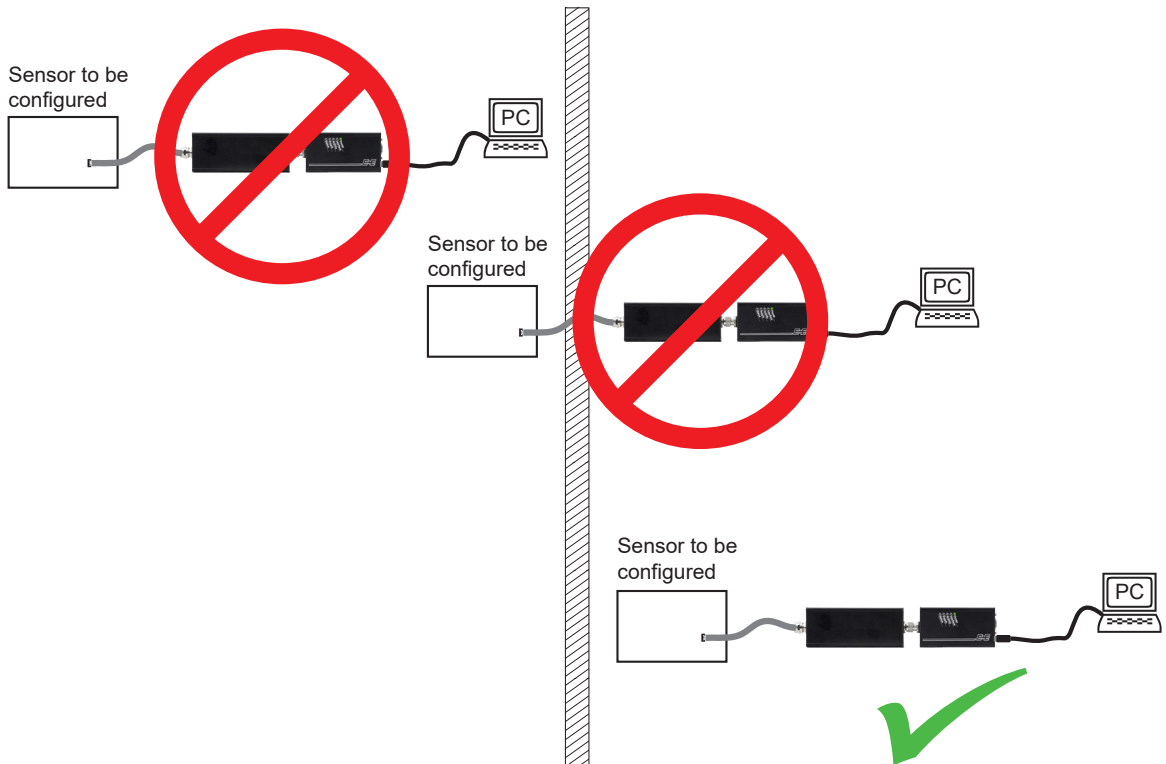
For the configuration of the E+E sensors please refer to the corresponding user manual.

EX-SPECIFIC HINT OR WARNING

The connection cable HA011068 and the EE-PCA may only be used for configuration in non-hazardous indoor area (unclassified area).

**Hazardous area
(Classified location)**

**Non-hazardous indoor area
(Unclassified location)**

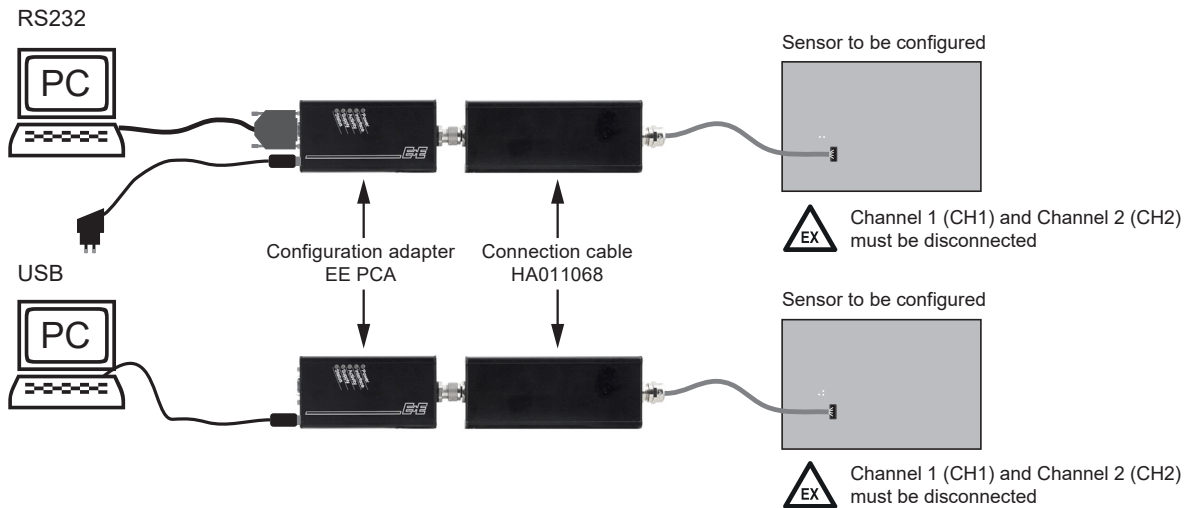
**EX-SPECIFIC HINT OR WARNING**

After configuration, make sure that the sensor is free of damages and of electrostatic charge before reinstalling it in the hazardous area.

It is not allowed to disassemble the connection cable HA011068.

3.1 PC Connection

- During the configuration procedure, the sensors are supplied by the EE-PCA and the connection cable HA011068. Do not connect any other power supply to the sensors!
- Connect the EE-PCA to the USB or the RS232 port of the PC. Using the RS232 port, the EE-PCA requires external supply voltage. Use the power supply adapter included in the scope of supply.
- Connect the EE-PCA to the connection cable HA011068.
- Connect the connection cable HA011068 to configuration interface of the sensor (the 4 pins blue connector on the electronics board).



3.2 PCS10 Product Configuration Software

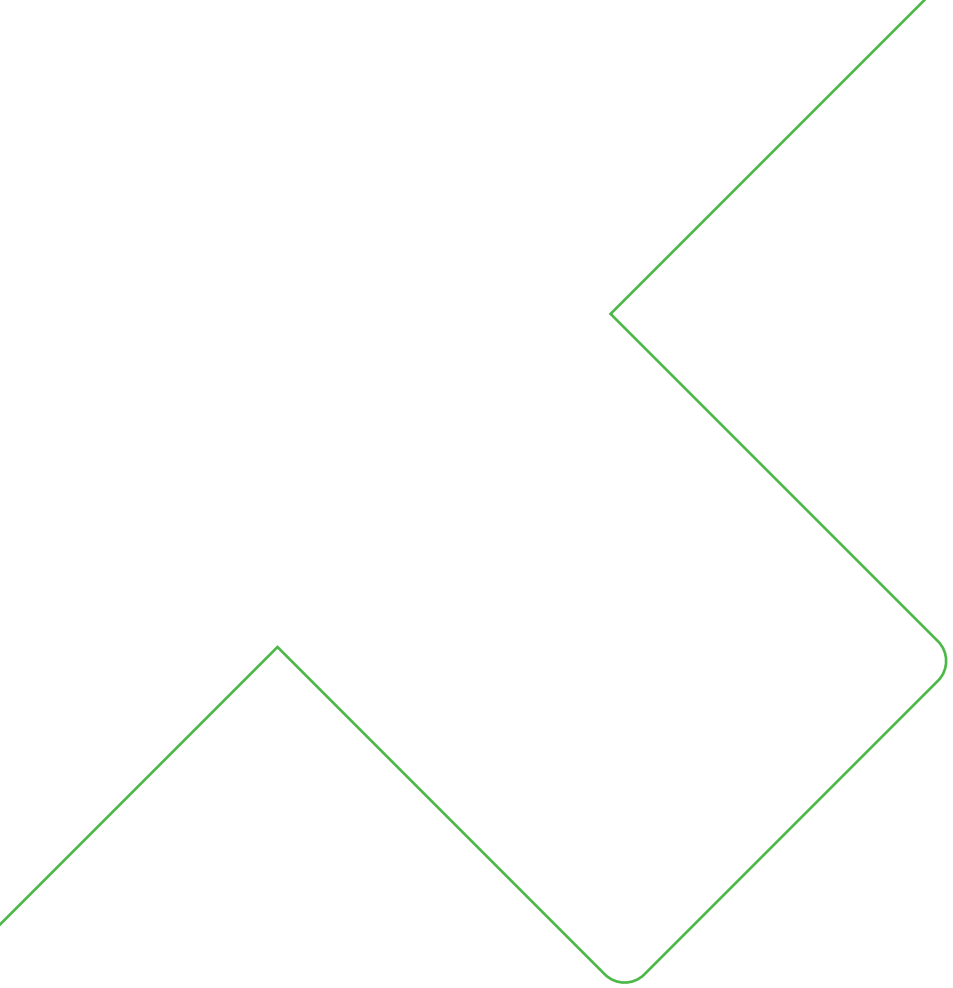
1. Download the PCS10 Product Configuration Software from www.epluse.com/pcs10 and install it on the PC.
2. Connect the E+E sensor to the PC using the connection cable.
3. Start the PCS10 software.
4. Follow the instructions on the PCS10 opening page for scanning the ports and identifying the connected device.
5. Click on the desired setup or adjustment mode from the main PCS10 menu on the left and follow the online instructions of the PCS10

4 Ordering Information

Description	Code
Connection cable with protective circuitry between the E+E sensors and the EE-PCA	HA011068
Product Configuration Adapter, for connection to the PC	EE-PCA

5 Technical Data

Power supply, external or via USB port	5 V
Communication interface	USB or RS232
Enclosure protection rating	IP20
Temperature and humidity range	
Operation	-40...+40 °C (-40...+104 °F)
Storage	-40...+60 °C (-40...+140 °F), 10...70 %RH
Installation altitude	Up to 2 000 m above sea level
Application conditions	Indoor in dry and clean environment
Pollution degree	2



Company Headquarters &
Production Site

E+E Elektronik Ges.m.b.H.
Langwiesen 7
4209 Engerwitzdorf | Austria
T +43 7235 605-0
F +43 7235 605-8
info@epluse.com
www.epluse.com

Subsidiaries

E+E Sensor Technology (Shanghai) Co., Ltd.
T +86 21 6117 6129
info@epluse.cn

E+E Elektronik France SARL
T +33 4 74 72 35 82
info.fr@epluse.com

E+E Elektronik Deutschland GmbH
T +49 6171 69411-0
info.de@epluse.com

E+E Elektronik India Private Limited
T +91 990 440 5400
info.in@epluse.com

E+E Elektronik Italia S.r.l.
T +39 02 2707 86 36
info.it@epluse.com

E+E Elektronik Korea Ltd.
T +82 31 732 6050
info.kr@epluse.com

E+E Elektronik Corporation
T +1 847 490 0520
info.us@epluse.com



—
your partner
in sensor
technology.