

+ User Manual

HA010514 - Radiation Shield for HTS401 with Remote Probe

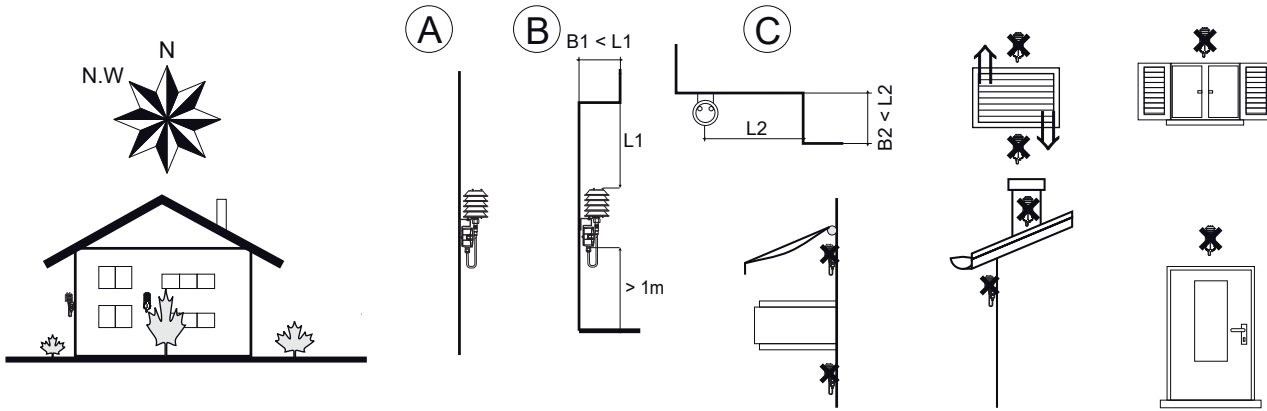


— your partner
in sensor
technology.

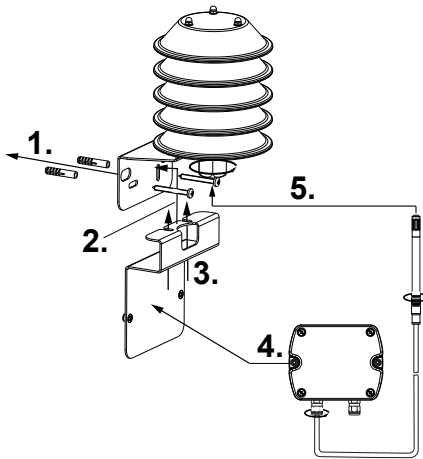
i PLEASE NOTE

Find this document and further product information on our website at www.epluse.com/hts401.

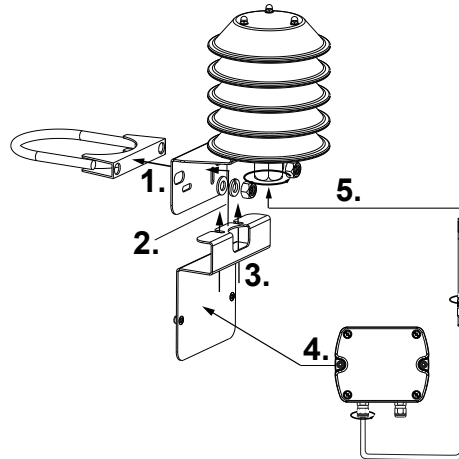
Mounting Position



Wall Mount



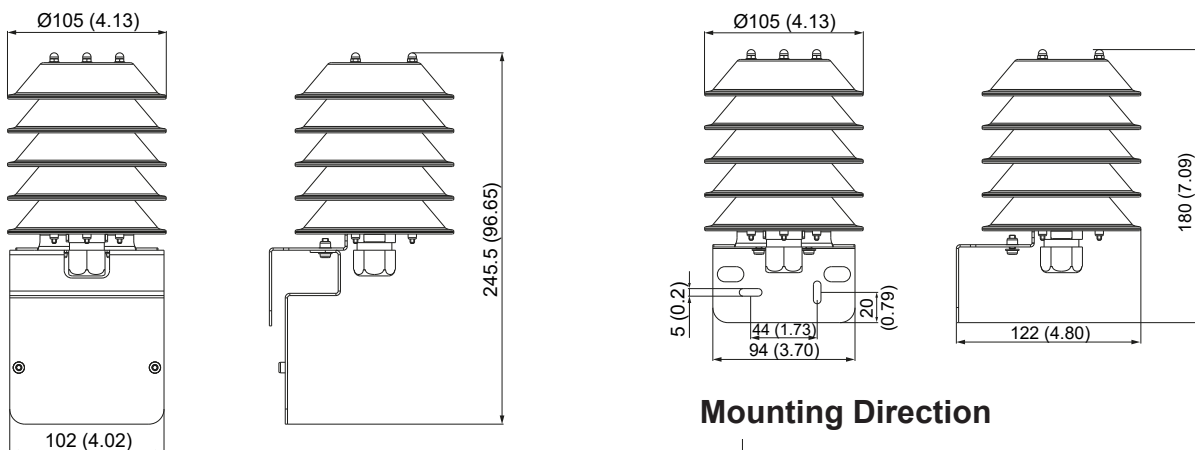
Pole Mount



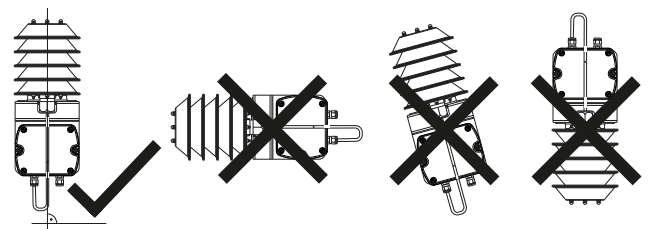
Mounting Description

1. Install the mounting plate with the radiation shield onto either a wall or a pole.
2. Attach the support plate
3. by driving the screws from the underside of the plate.
4. Place the sensor onto the support plate and tighten the screws.
5. Insert the HTS401P probe into the radiation shield until it is fully seated, and secure it using the integrated cable gland.

Dimensions Values in mm (inch)



Mounting Direction



E+E Elektronik Ges.m.b.H.
Langwiesen 7
4209 Engerwitzdorf | Austria
T +43 7235 605-0
F +43 7235 605-8
info@epluse.com
www.epluse.com